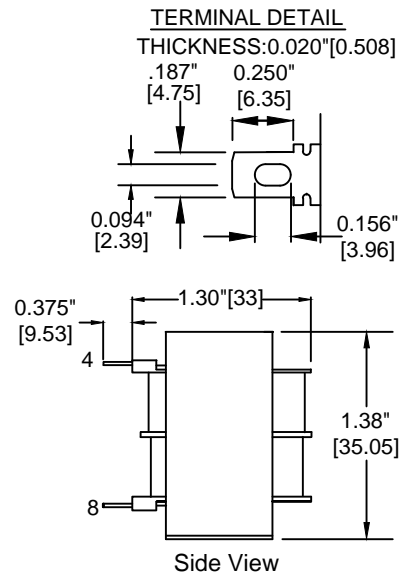
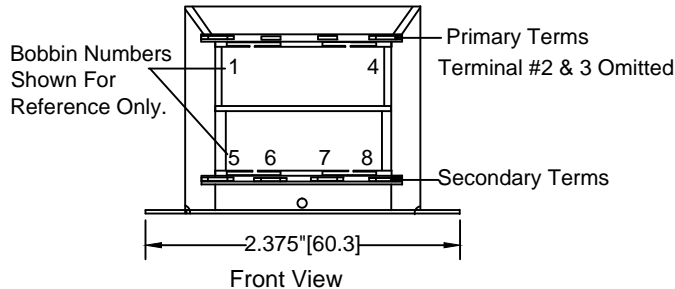
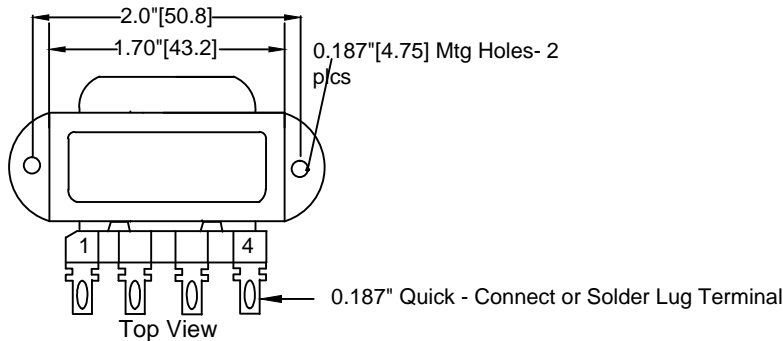


CSLP-24-500 Series: 6 VA Chassis Mount Power transformer with a single 24V primary and dual secondaries for Domestic Instrumentation and HVAC applications. Split bobbin construction provides excellent primary to secondary isolation. Solder lug/Quick- connect type 0.187" terminals.

- Dielectric Strength - 2500Vrms Hipot primary to secondary
- Primary - Single primary 24V, 60Hz
- Dual Secondaries - Series or Parallel
- 0.187" Quick connect terminals / Solder lugs
- Insulation System - Class B (130°C), UL 1446 (File E85315)
- Three flange bobbin design, no electrostatic shield required
- 100% Final Tested: Every single transformer is tested on automated panels for exciting current, open circuit voltage (turns ratio), polarity (phasing) and dielectric strength
- Immersed in 100% solids epoxy resin to withstand most aqueous and solvent cleaning systems
- Other primary and secondary voltages may be custom designed to your specifications

All dimensions reference unless otherwise specified. [ ]=mm

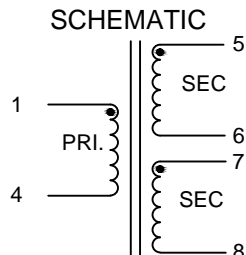


SECONDARY WINDINGS ARE DESIGNED TO BE USED AS ONE SECONDARY WINDING WITH EITHER PARALLEL OR SERIES CONNECTIONS ONLY!

INPUT VOLTAGE 1 - 4 ; 24V, 60Hz

SECONDARY PARALLEL CONNECTIONS:  
TIE 5-7, 6-8; OUTPUT 5-8

SECONDARY SERIES CONNECTIONS:  
TIE 6-7; OUTPUT 5-8



Note: Terminals 2 & 3 omitted  
•Dots indicate like polarity

RMS RATING WITH SECONDARIES  
CONNECTED IN:

Part Number	VA	CONNECTED IN:	
		Series	Parallel
CSLP-24-500	6	10Vct @ 600mA	5V @ 1.20A
CSLP-24-501	6	12.6Vct @ 500mA	6.3V @ 1.0A
CSLP-24-502	6	16Vct @ 400mA	8V @ 800mA
CSLP-24-503	6	20Vct @ 300mA	10V @ 600mA
CSLP-24-504	6	24Vct @ 250mA	12V @ 500mA
CSLP-24-505	6	28Vct @ 200mA	14V @ 400mA

### CSLP-24-500 Series

#### Notes

FUSING THE TRANSFORMER TO MEET SAFETY AGENCY REQUIREMENTS IS THE RESPONSIBILITY OF THE CUSTOMER.

-1	Added Dims. in [mm], Chg. Hgt. Dim., Added additional bullets	05-06-15
----	---	----------

**PREM**  
MAGNETICS INCORPORATED  
3521 N. CHAPEL HILL RD.  
JOHNSBURG, IL 60051

**PREM PART**  
**CSLP-24-500 SERIES**  
**CHASSIS MOUNT**

**Approved: R Randow**  
**Scale: None**  
**Date: 03/25/2009**